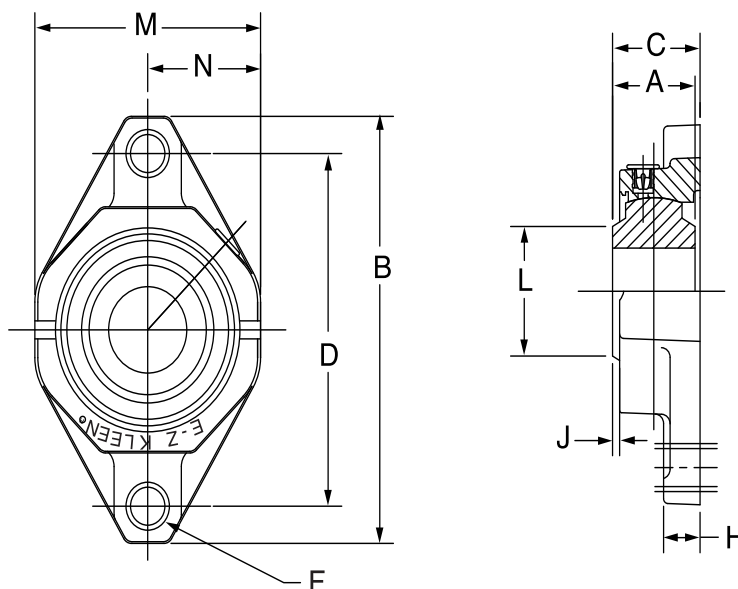


SELECTION/DIMENSIONS



E-Z KLEEN Mounted Bearings

PSEZ POLYMER SLEEVE POLYMER HOUSED 2-BOLT FLANGE BEARINGS



Series	Shaft Size	Part No.	Description
204	3/4	034726	F2B-PSEZ-012-P
	20mm	034766	F2B-PSEZ-20M-P
205	1	034727	F2B-PSEZ-100-P
	25mm	034767	F2B-PSEZ-25M-P
206	1-3/6	034728	F2B-PSEZ-103-P
	1-1/4	034729	F2B-PSEZ-104S-P
	30mm	034768	F2B-PSEZ-30M-P
207	1-1/4	034730	F2B-PSEZ-104-P
	1-7/16	034731	F2B-PSEZ-107-P
	35mm	034769	F2B-PSEZ-35M-P
208	1-1/2	034732	F2B-PSEZ-108-P
	40mm	034770	F2B-PSEZ-40M-P
210	1-15/16	034735	F2B-PSEZ-115-P
	50mm	034772	F2B-PSEZ-50M-P

Series	Shaft Size	Weight lb. kg	A	B	C	D	F Bolt Dia	H	J	L	M
204	3/4	0.42	1	4-29/64	1-3/16	3-17/32	3/8	17/32	5/64	1-5/16	2-23/64
	20mm	0.19	25.4	113.0	30.4	90.0	M10	13.5	1.9	33.3	59.9
205	1	0.46	1-1/16	4-59/64	1-1/4	3-57/64	3/8	35/64	1/8	1-7/16	2-23/64
	25mm	0.21	27.0	125.0	31.5	99.0	M10	13.9	2.6	36.5	69.1
206	1-3/6	0.62	1-3/16	5-19/32	1-11/32	4-19/32	3/8	35/64	7/64	1-11/16	3-13/64
	1-1/4	0.61									
	30mm	0.28	30.2	142.1	34.1	116.5	M10	13.9	2.6	42.9	81.4
207	1-1/4	0.78	1-5/16	6-5/16	1-27/64	5-1/8	1/2	5/8	9/64	2	3-45/64
	1-7/16	0.73									
	35mm	0.36	33.3	160.3	36.2	130.0	M12	15.9	3.7	50.8	94.1
208	1-1/2	1.01	1-1/2	6-25/32	1-5/8	5-21/32	1/2	43/64	1/4	2	4-1/16
	40mm	0.46	38.1	172.0	41.4	143.5	M12	17.1	4.6	50.8	103.1
210	1-15/16	1.14	1-5/8	7-31/64	1-53/64	6-3/16	5/8	49/64	1/4	2-9/16	4-1/2
	50mm	0.52	41.3	19.1	46.5	157.0	M16	19.4	6.2	65.1	114.3

FEATURES/BENEFITS PAGE B2-3	HOW TO ORDER/NOMENCLATURE PAGE B2-8	SELECTION/DIMENSIONS PAGE B2-24	ACCESSORIES PAGE B2-77
--------------------------------	--	------------------------------------	---------------------------